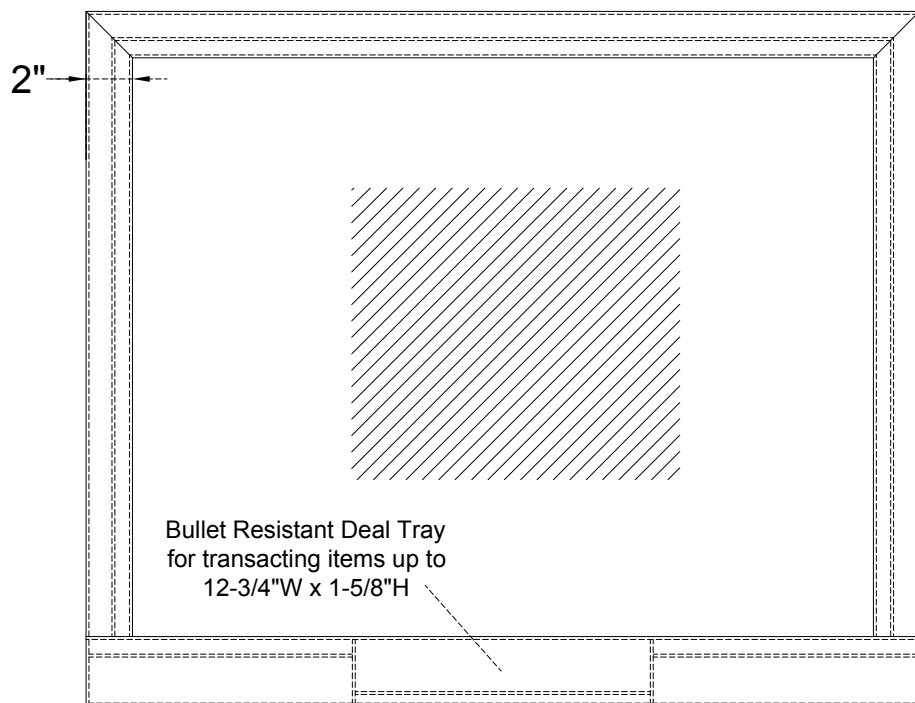
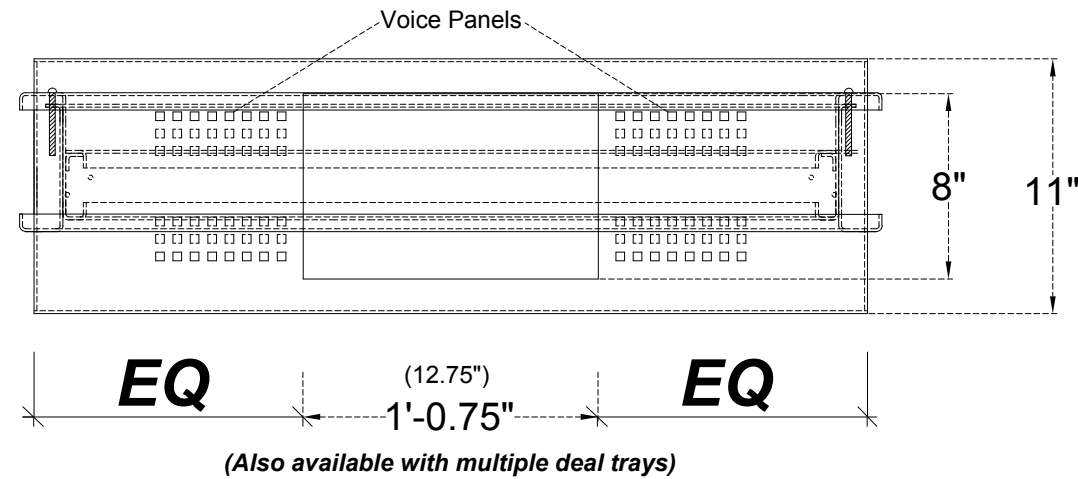


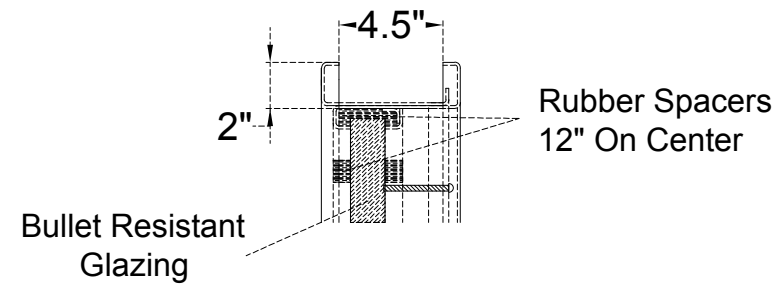
CUSTOM SIZES AVAILABLE

CONTACT CBP FOR GLAZING TYPES AND SIZE RESTRICTIONS

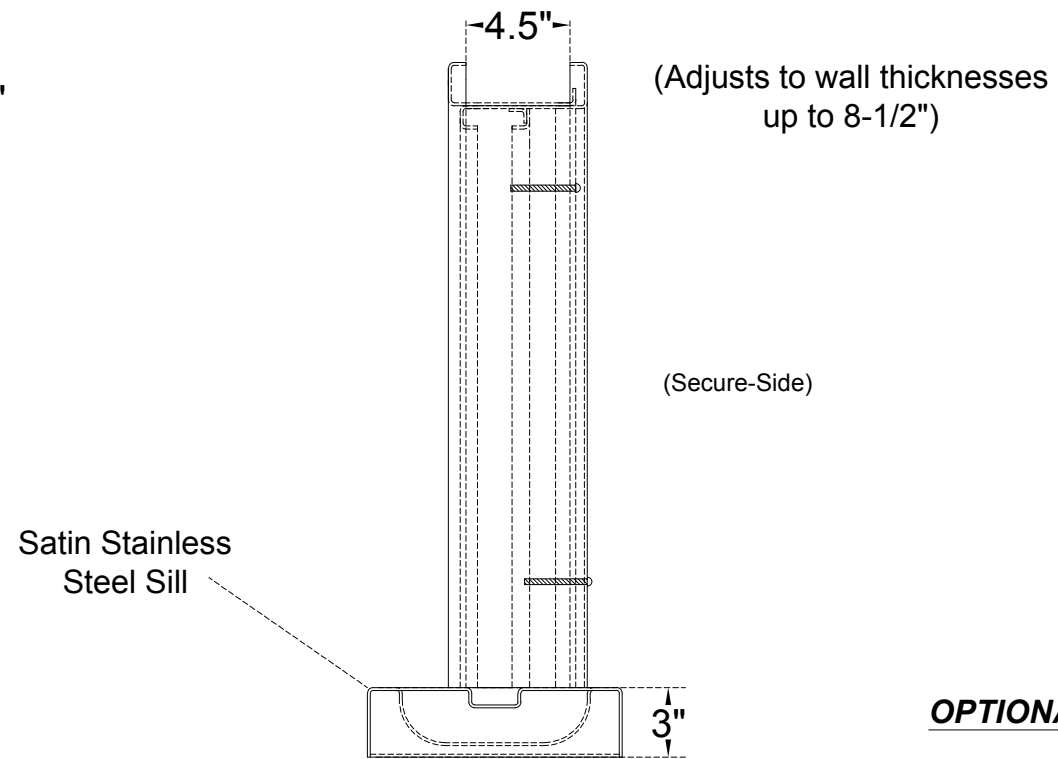
(Mullions may be required for window sizes over 65-1/4" x 89-1/4")



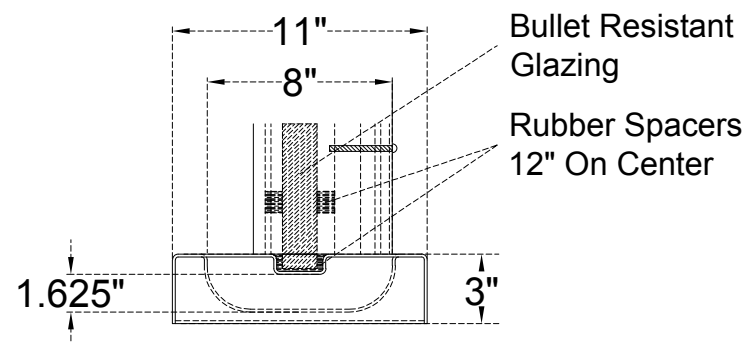
ELEVATION



HEAD/JAMB SECTION



END VIEW



SILL SECTION

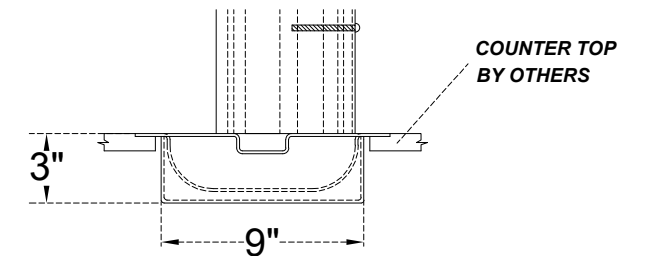
CBP Model CTW

Bullet Resistant Clamp-on Transaction Window

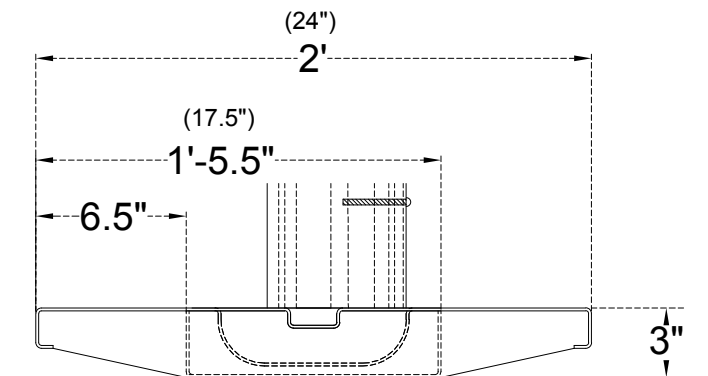
UL 752 Listed and Labeled Levels 1-4, & 6

(A label bearing certification is affixed to the protected side of the frame)

Note: CBP Model CTW features a voice panel sill and rubber spacers to create an acoustically balanced natural voice transmission system. Sealants or glazing compounds are not to be used to close gaps between the bullet resistant glazing product and the framing assembly, this will inhibit the natural voice transmission capability.



OPTIONAL MORTISE SILL SECTION



OPTIONAL 6-1/2" STAINLESS STEEL WRITING LEDGE SECTION

-Extends the full width of the sill

-Available on either or both sides of window

(optional sill and ledge details show Model STW)

FILE NO. BP1942
SECURITY

CHICAGO BULLET PROOF SYSTEMS, INC
2595 BOND ST. UNIVERSITY PARK, IL. 60484
708-534-9102
WWW.CHICAGOBULLETPROOF.COM

CTW WINDOW

MATERIAL: SHOT-TEX		FINISH: PRIME PAINTED, POWDER COATED, OR STAINLESS STEEL			
DWG. NO.: CTW	REVISION: 0	UL LEVEL: 1-4, & 6	GLAZING: TBD	TOLERANCES: +/-1/16"	SCALE: 1-1
SHEET: 1 OF 1	WEIGHT: TBD				