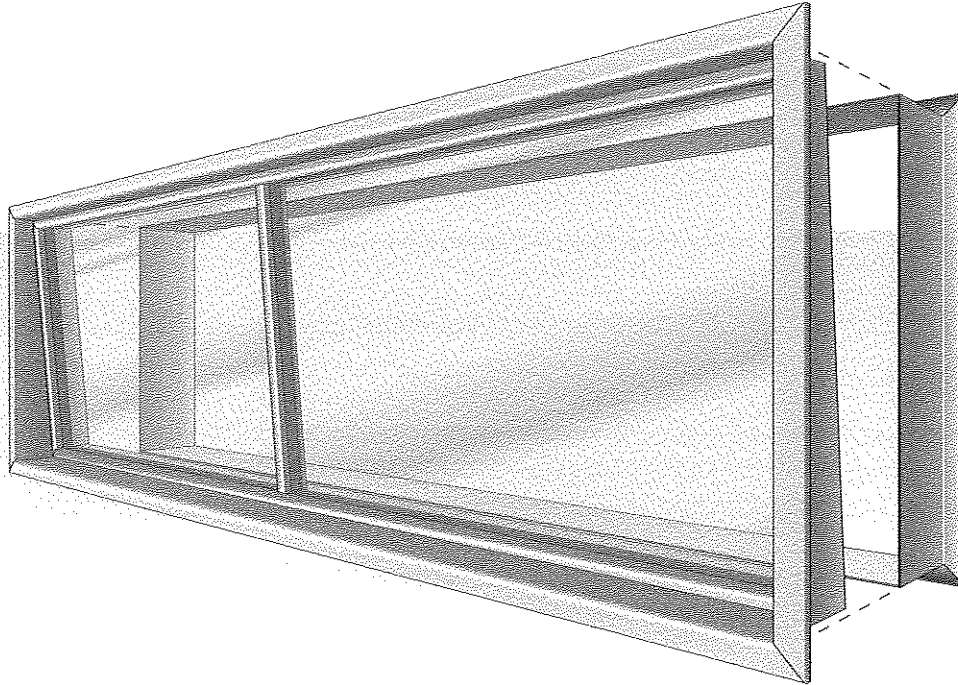


**BULLET PROOF**

**CV**

**BULLET RESISTANT  
CLAMP-ON VISION WINDOW**



**APPLICATIONS - INTERIOR/EXTERIOR**

-Guard turrets and towers, bank drive-up, checkpoints, observation towers.

**CODE COMPLIANCE**

Assembly is listed and labeled by Underwriters Laboratories, Inc. (UL) under *Standard for Safety UL 752, Bullet Resisting Equipment* for:

**Level 1 \*Level 2 \*Level 3 \*Level 4 \*Level 6**

A label bearing certification is affixed to the protected side of the frame.

**FRAMING**

- Telescopic to adjust to wall thicknesses varying from 8" to 12" by clamping the wall opening.
- Formed from SHOT-TEX brand bullet resistant steel
- Mitered and welded corners.
- Single rabbet with an applied glazing stop on the protected side.
- Subframe for glass is inclined five degrees to vertical, slanted away from the protected side of window to reduce glare.

SHOT-TEX is the registered trademark of Chicago Bullet Proof Systems.

**FRAME FINISH**

Prime painted (-P)      Satin stainless steel (-S)

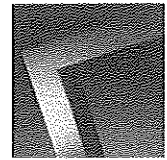
**TRANSPARENT ARMOR**

- UL listed bullet resistant transparent armor supplied with frame.
- Shipped in a separate crate.
- Field glazing is required.
- Laminated glass is standard.

Optional transparent armors: Glass clad polycarbonate, Glass clad polycarbonate with air gap, Laminated polycarbonate, Acrylic

**CHICAGO BULLET PROOF SYSTEMS**  
2595 BOND ST.  
UNIVERSITY PARK, IL 60484

**WWW.CHICAGOBULLETPROOF.COM**  
P. (708) 534-9102  
F. (708) 534-9132



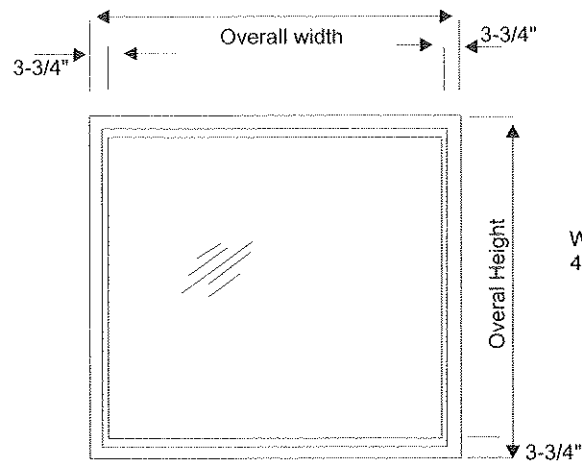
## INSTALLATION

CV Service Windows "wrap around" the finished wall thickness, concealing the prepared wall opening. Installation is accomplished by blocking the interior flange in place within the wall opening, inserting the exterior clamping flange into interior frame section, and drawing the clamping bolts tight to clamp the wall.

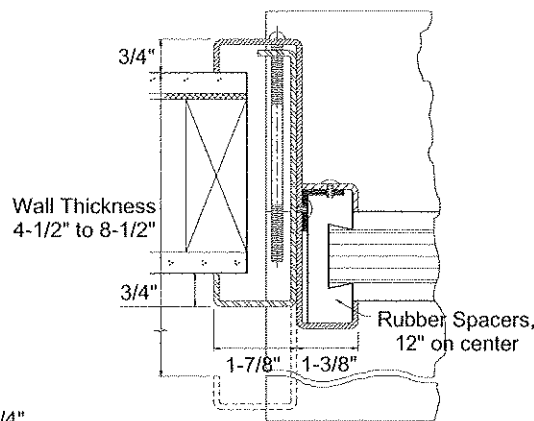
### Standard Sizes

Model	O.A. Size	Recommended Wall Opening	Min. Shipping Weight
Cv 60	60" x 40"	58-1/2" x 38-1/2"	400
Cv 120	120" x 40"	118-1/2" x 38-1/2"	725
Cv 180	180" x 40"	178-1/2" x 38-1/2"	1100

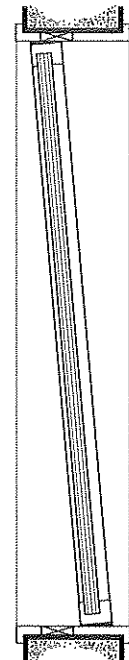
- NOTE:**
- Special frame, glass and size conditions are available.** Please contact CBPS.
  - CV Vision windows 120" and greater have one vertical division mullion dividing frame into two equal transparent panels.
  - CV Vision Windows with widths 120" and greater are shipped in two sections for convenience in handling and shipping. The sections must be assembled in the field by the installer. Factory prepared spline joints secure the two sections together.



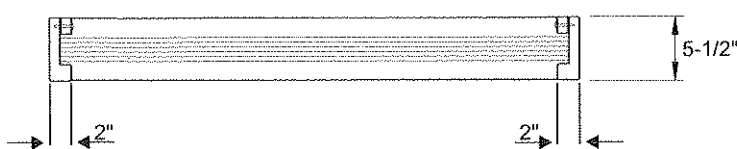
THREAT SIDE ELEVATION



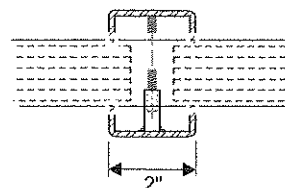
HEAD / JAMB



VERTICAL  
CROSS SECTION



PLAN



DIVISION MULLION FOR UNITS 96" & OVER