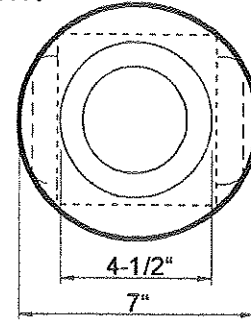
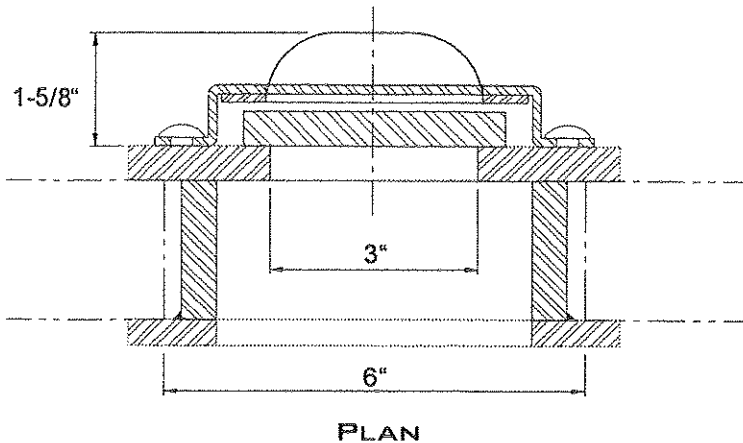


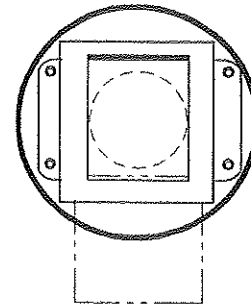
BULLET PROOF
BULLET RESISTANT
GUNPORT

GP3

GP3 GUNPORT (GLASS MOUNT)



ATTACK SIDE



INTERIOR ELEVATION

APPLICATIONS

- The GP3 Gunport Series are used in conjunction with other bullet-resistant equipment where the situation demands a defensible position...the ability to return fire.
- The GP3 series is designed to be used with handguns.
- Typical applications include: entry control check points, central security stations, guard booths, guard towers, and vehicles.

CODE COMPLIANCE

Gunport is listed and labeled by Underwriters Laboratories, Inc. (UL) under Standard for Safety UL 752, *Bullet Resisting Equipment for:*
~~Level 0, Level 1, and Level 2~~ *Contact CBP for current info*
A label bearing certification is affixed to the protected side.

FUNCTIONS

- Available in wall or glass mounted.
- 3" diameter weapon opening.
- oCall CBPS for custom sizes to fulfill special weapon requirements.
- The vertically acting spring-loaded trigger plate covers the firing port when not in use.

FUNCTIONS CONT.

- The gunport operation consists of depressing the trigger plate inward while pushing the slide down and inserting the muzzle of the weapon.
- The slide is tamper-resistant from the threat side.

MATERIAL/FINISHES

- Constructed from CBP's certified SHOT-TEX brand bullet resistant steel.
- Wall Mount:** Cover- satin stainless steel finish; Slide- satin stainless steel; Mounting plate is a prime painted finish.
- Glass Mount:** Cover- brushed chrome finish; Mounting Ring- Satin stainless steel finish

GP3 GUNPORT INSTALLATION

- Wall Mount:** The gunport is attached to a 12" x 12" plate of Shot-Tex steel; anchor the unit to the wall with four 3/8" diameter bolt anchors (Anchors are not supplied by factory).
- Glass Mount:** Disassemble gunport inner ring from the outer ring. Insert the outer ring, with gasket attached, through the hole in the transparent armor and reassemble. (Instructions are shipped with unit)

CHICAGO BULLET PROOF SYSTEMS
2595 BOND ST.
UNIVERSITY PARK, IL 60484

WWW.CHICAGOBULLETPROOF.COM
P. (708) 534-9102
F. (708) 534-9132