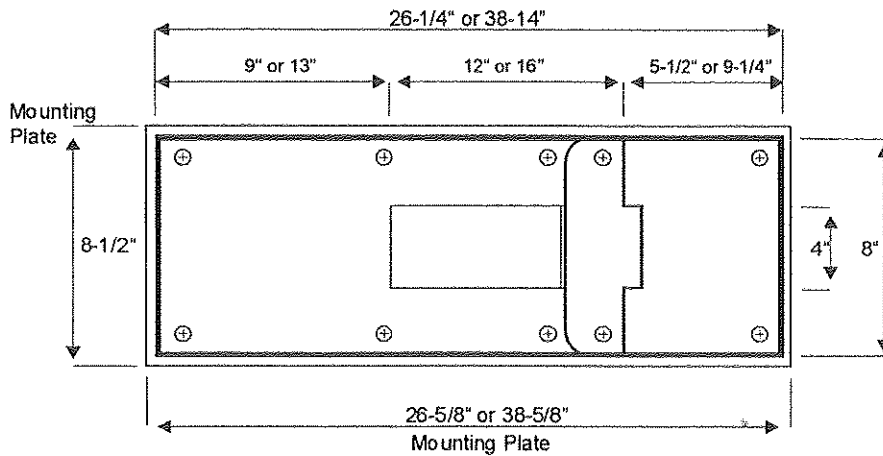
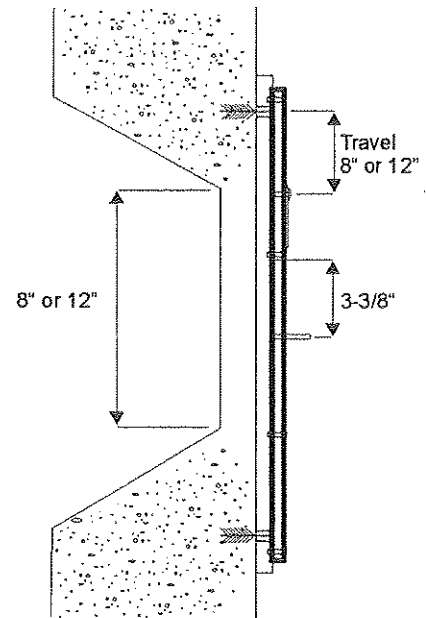


## GP4 GUNPORT (WALL MOUNT)



INTERIOR ELEVATION  
(SHOWN CLOSED)



SECTIONAL PLAN VIEW  
(SHOWN PARTIALLY OPEN)

### APPLICATIONS

-The GP4 Gunports are used in similar applications as the GP3 Gunports except that the GP4 design permits access to a greater field of fire and lends itself to situations where a rifle or shotgun is to be utilized. The GP4 Gunport is used in conjunction with other bullet-resistant equipment where the situation demands a defensible position...the ability to return fire from within.

### CODE COMPLIANCE

-The GP4 Gunport is listed and labeled by Underwriters Laboratory, Inc. (UL) under *Standard For Safety UL 752* for: ★Level 4

A label bearing certification is affixed to the protected side.

### FUNCTIONS

-The GP4 Gunport can be bolted (or welded) to wall construction and can be ordered as an optional extra with a DR Door/Frame assembly unit.  
 -The spring-loaded, self-latching slide plates can be ordered either with an 8" (GP4-8) or 12" (GP4-12) horizontal travel.  
 -The movement provides a "panning" action for automatic weapons, shotguns and tear gas launchers, thus providing a greater field of fire.

CHICAGO BULLET PROOF SYSTEMS  
2595 BOND ST.  
UNIVERSITY PARK, IL 60484

### FUNCTIONS CONT.

-Each unit has a 3-3/8" wide x 4" high weapons opening within slide plate of each model.  
 -Slide is tamper-proof from the exterior by means of a spring-loaded trigger plate.  
 -Gunport operation consists of depressing trigger plate while opening slide with push plate and inserting muzzle of weapon.

### MATERIAL/FINISHES

-Constructed from CBP's certified SHOT-TEX brand bullet resistant steel.  
 -Cover- satin stainless steel finish.  
 -Slide & Mounting Plate -prime painted finish.

### GP4 GUNPORT INSTALLATION

-Prepare wall opening beveled towards wall's exterior. This will ensure a greater field of fire. Remove cover and slide plate assembly from mounting plate. Mount gunport over wall opening, keeping opening in mounting plate aligned with that in wall. Secure gunport in place with four 3/8" diameter bolt anchors (Anchors are supplied by others).

[WWW.CHICAGOBULLETPROOF.COM](http://WWW.CHICAGOBULLETPROOF.COM)

P. (708) 534-9102

F. (708) 534-9132