

CUSTOM SIZES AVAILABLE

CONTACT CBP FOR GLAZING TYPES AND SIZE RESTRICTIONS

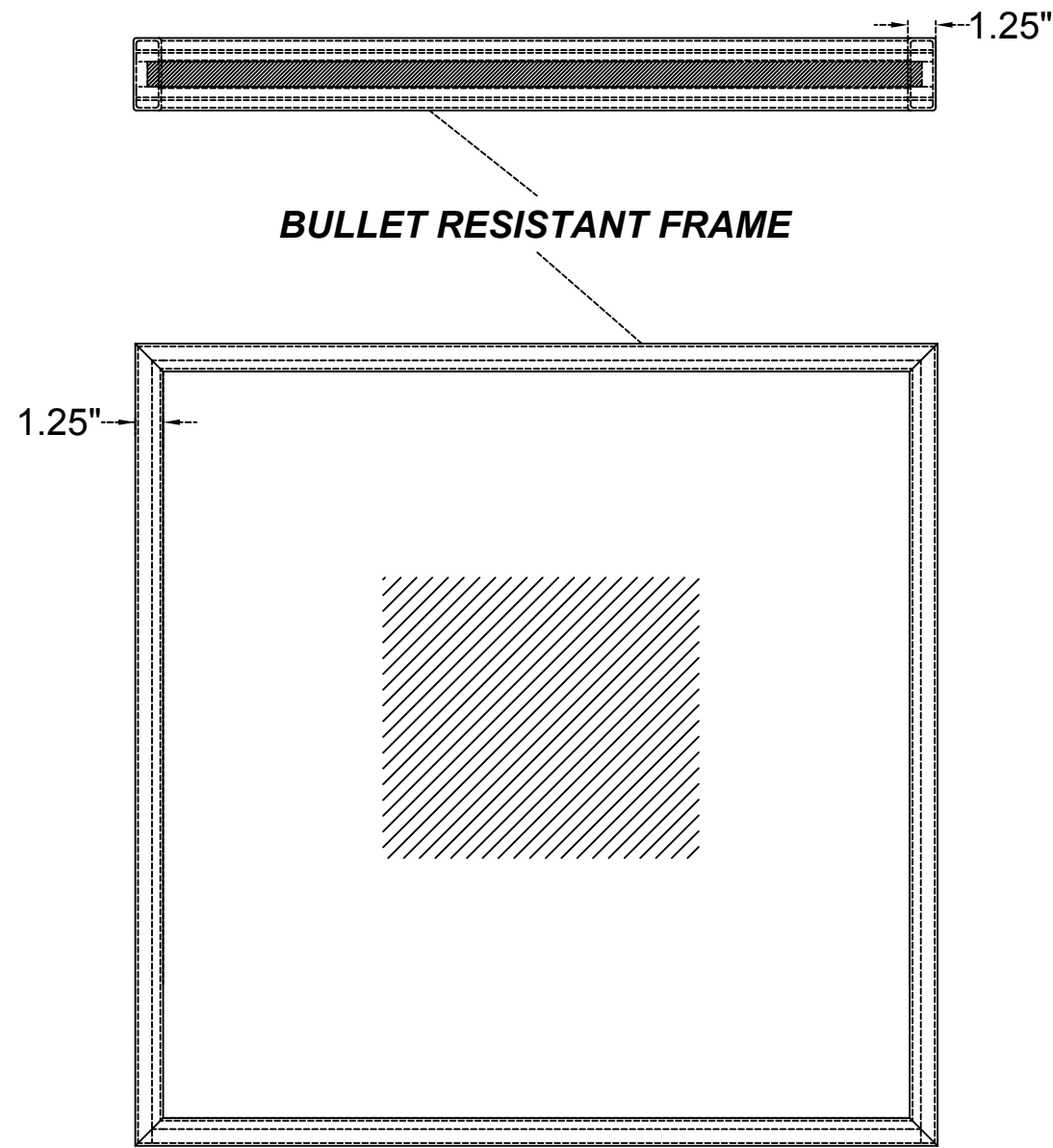
(Mullions may be required for window sizes over 61-1/2" x 85-1/2")

CBP Model NVL

Bullet Resistant Narrow Profile Vision Window

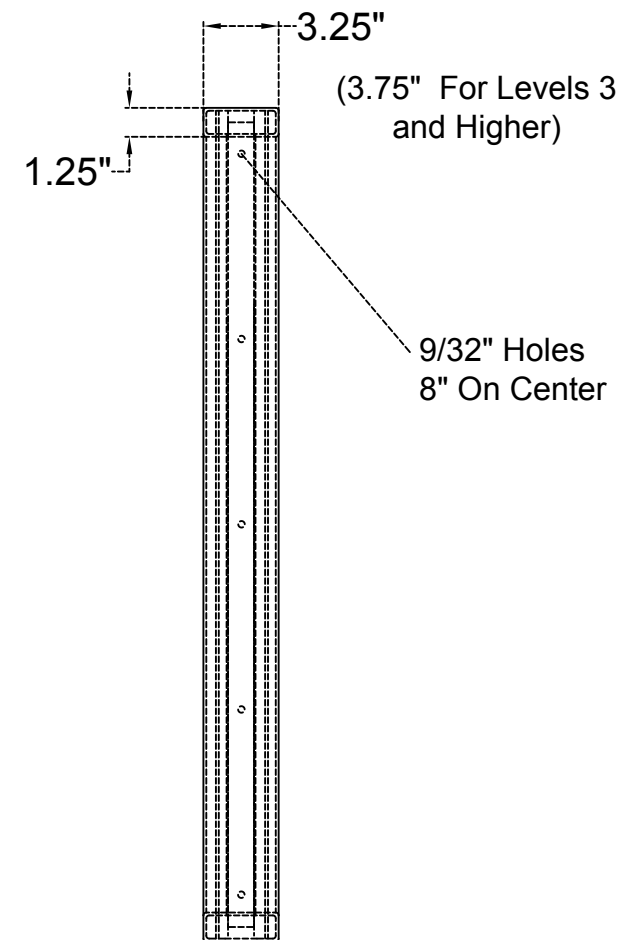
UL 752 Listed and Labeled Levels 1-4, & 6

(A label bearing certification is affixed to the protected side of the frame)

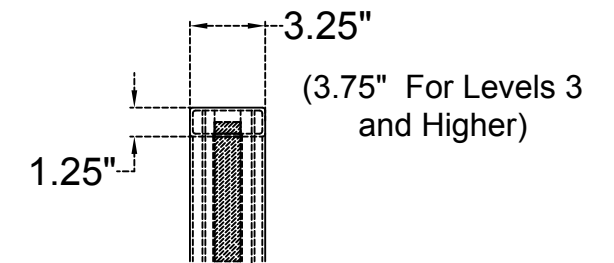


BULLET RESISTANT FRAME



ELEVATION



END VIEW



HEAD/JAMB/SILL SECTION

FILE NO. BP1942
SECURITY


 CHICAGO BULLET PROOF SYSTEMS, INC
 2595 BOND ST. UNIVERSITY PARK, IL. 60484
 708-534-9102
 WWW.CHICAGOBULLETPROOF.COM

NVL WINDOW

MATERIAL: SHOT-TEX FINISH: PRIME PAINTED, POWDER COATED, OR STAINLESS STEEL

DWG. NO.: NVL	REVISION: 0	UL LEVEL: 1-4, & 6	GLAZING: TBD	TOLERANCES: +/-1/16"	SCALE: 1-1
---------------	-------------	--------------------	--------------	----------------------	------------

SHEET: 1 OF 1	WEIGHT: TBD
---------------	-------------